

NEWSLETTER 002-2010

Schottky Rectifier up to 1A Micro SMA / SOD-123 / SOD-323

Features:

- Very low profile with typical height of 0.60mm
- Ideal for automated placement
- Low forward voltage drop
- Low power losses
- High efficiency
- Voltages available from 30V to 60V
- $T_j = -40 \dots +125^\circ\text{C}$ (Low-Vf-Schottky)
- $T_j = -40 \dots +150^\circ\text{C}$ (Standard Schottky)
- RoHS-Compliant
- High temperature soldering: $260^\circ/10\text{s}$ at terminals
- MSL level 1 per J-STD-020C



NEWSLETTER 002-2010

Schottky Rectifier up to 1A Micro SMA / SOD-123 / SOD-323

Mechanical Data:

- Case: Micro SMA
- Terminals: Matte Tin Plated
- Epoxy meets UL94V-0 flammability rating



Typical Applications:

- For use in low voltage high frequency inverters
- Free wheeling
- DC/DC converters
- Polarity protection
- Circuit protection of mobile equipment batteries
- LED-Driver Protection

Closest Cross Reference:

- SS13M – MSS1P3 (Vishay)
- SS14M – MSS1P4 (Vishay)
- SS16M – MSS1P6 (Vishay)

NEWSLETTER 002-2010

Schottky Rectifier up to 1A Micro SMA / SOD-123 / SOD-323

Available Parts

Package	Part No	VRM(V)	IO(A)	VF(V) max. Tj=25°C	IR(uA) Tj=25°C
Micro SMA	SS13M RR	30	1	0.55	50
Micro SMA	SS14M RR	40	1	0.55	50
Micro SMA	SS16M RR	60	1	0.64	50
SOD323F	B0530WS RR	30	0.5	0.47	500
SOD123	B0520LW RH	20	0.5	0.385	250
SOD123	B0530W RH	30	0.5	0.43	130
SOD123	B0540W RH	40	0.5	0.51	20



Packaging Information:

- Available in 8mm Tape on Reel
- Packaging Codes RH & RR = 3,000 pieces/reel (7"-reel– 180mm width)



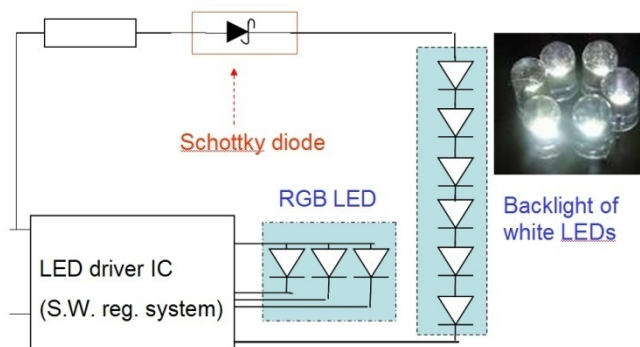
NEWSLETTER 002-2010

Schottky Rectifier up to 1A Micro SMA / SOD-123 / SOD-323

Schottky Diodes for Protecting LED Drivers

Quantity of LED drive and its current rating

Quantity of LEDs	Specification required
1 to 4pcs	$I_o=500\text{mA}$
8 pcs above	$I_o=1\text{A}$



NEWSLETTER 002-2010

Schottky Rectifier up to 1A Micro SMA / SOD-123 / SOD-323

Schottky Diodes for Circuit Protection of Mobile Equipments Batteries

