

## 500mW, 5% Tolerance Zener Diodes

### FEATURES

- Wide zener voltage range selection: 2.4V to 75V
- $V_Z$  tolerance selection of  $\pm 5\%$
- Compliant to RoHS directive 2011/65/EU and in accordance to WEEE 2002/96/EC

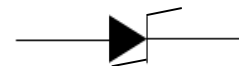
### APPLICATIONS

- Low voltage stabilizers or voltage references
- Adapters
- Lighting application
- On-board DC/DC converter

### MECHANICAL DATA

- Case: Quadro Mini-MELF (LS34)
- Terminal: Matte tin plated leads, solderable per J-STD-002
- Polarity: Indicated by cathode band
- Weight:  $29 \pm 2.5\text{mg}$

KEY PARAMETERS		
PARAMETER	VALUE	UNIT
$V_Z$	2.4-75	V
$P_D$	500	mW
$V_F$ at $I_F=10\text{mA}$	1	V
$T_J$ Max.	175	$^{\circ}\text{C}$
Package	Quadro Mini-MELF (LS34)	
Configuration	Single die	



ABSOLUTE MAXIMUM RATINGS ( $T_A = 25^{\circ}\text{C}$ unless otherwise noted)			
PARAMETER	SYMBOL	VALUE	UNIT
Forward voltage @ $I_F=10\text{mA}$	$V_F$	1	V
Power dissipation	$P_D$	500	mW
Junction temperature range	$T_J$	-65 to +175	$^{\circ}\text{C}$
Storage temperature range	$T_{STG}$	-65 to +175	$^{\circ}\text{C}$

THERMAL PERFORMANCE			
PARAMETER	SYMBOL	TYP	UNIT
Junction-to-ambient thermal resistance	$R_{\theta JA}$	500	$^{\circ}\text{C/W}$

<b>ELECTRICAL SPECIFICATIONS</b> ( $T_A = 25^\circ\text{C}$ unless otherwise noted)									
<b>PART NUMBER</b>	<b>ZENER VOLTAGE</b>			<b>TEST CURRENT</b>	<b>REGULAR IMPEDANCE</b>		<b>TEST CURRENT</b>	<b>LEAKAGE CURRENT</b>	
	$V_Z @ I_{ZT}$			$I_{ZT}$	$Z_{ZT} @ I_{ZT}$	$Z_{ZK} @ I_{ZK}$	$I_{ZK}$	$I_R @ V_R$	
	V			mA	$\Omega$	$\Omega$	mA	$\mu\text{A}$	V
	Nom.	Min.	Max.		Max.	Max.		Max.	
BZT55C2V4	2.4	2.28	2.56	5	85	600	1	50	1
BZT55C2V7	2.7	2.51	2.89	5	85	600	1	10	1
BZT55C3V0	3.0	2.8	3.2	5	85	600	1	4	1
BZT55C3V3	3.3	3.1	3.5	5	85	600	1	2	1
BZT55C3V6	3.6	3.4	3.8	5	85	600	1	2	1
BZT55C3V9	3.9	3.7	4.1	5	85	600	1	2	1
BZT55C4V3	4.3	4.0	4.6	5	75	600	1	1	1
BZT55C4V7	4.7	4.4	5.0	5	60	600	1	0.5	1
BZT55C5V1	5.1	4.8	5.4	5	35	550	1	0.1	1
BZT55C5V6	5.6	5.2	6.0	5	25	450	1	0.1	1
BZT55C6V2	6.2	5.8	6.6	5	10	200	1	0.1	2
BZT55C6V8	6.8	6.4	7.2	5	8	150	1	0.1	3
BZT55C7V5	7.5	7.0	7.9	5	7	50	1	0.1	5
BZT55C8V2	8.2	7.7	8.7	5	7	50	1	0.1	6.2
BZT55C9V1	9.1	8.5	9.6	5	10	50	1	0.1	6.8
BZT55C10	10	9.4	10.6	5	15	70	1	0.1	7.5
BZT55C11	11	10.4	11.6	5	20	70	1	0.1	8.2
BZT55C12	12	11.4	12.7	5	20	90	1	0.1	9.1
BZT55C13	13	12.4	14.1	5	26	110	1	0.1	10
BZT55C15	15	13.8	15.6	5	30	110	1	0.1	11
BZT55C16	16	15.3	17.1	5	40	170	1	0.1	12
BZT55C18	18	16.8	19.1	5	50	170	1	0.1	13
BZT55C20	20	18.8	21.1	5	55	220	1	0.1	15
BZT55C22	22	20.8	23.3	5	55	220	1	0.1	16
BZT55C24	24	22.8	25.6	5	80	220	1	0.1	18
BZT55C27	27	25.1	28.9	5	80	220	1	0.1	20
BZT55C30	30	28	32	5	80	220	1	0.1	22
BZT55C33	33	31	35	5	80	220	1	0.1	24
BZT55C36	36	34	38	5	80	220	1	0.1	27
BZT55C39	39	37	41	2.5	90	500	0.5	0.1	28
BZT55C43	43	40	46	2.5	90	600	0.5	0.1	32
BZT55C47	47	44	50	2.5	110	700	0.5	0.1	35
BZT55C51	51	48	54	2.5	125	700	0.5	0.1	38
BZT55C56	56	52	60	2.5	135	1,000	0.5	0.1	42
BZT55C62	62	58	66	2.5	150	1,000	0.5	0.1	47
BZT55C68	68	64	72	2.5	160	1,000	0.5	0.1	51
BZT55C75	75	70	79	2.5	170	1,000	0.5	0.1	56

**Notes:**

1. The zener voltage ( $V_Z$ ) is tested under pulse condition of 30ms
2. The device numbers listed have a standard tolerance on the nominal zener voltage of  $\pm 5\%$
3. For detailed information on price, availability and delivery of nominal zener voltages between the voltages shown and tighter voltage tolerances, contact your nearest Taiwan Semiconductor representative
4. The zener impedance is derived from the 60-cycle ac voltage, which results when an ac current having an rms value equal to 10% of the DC zener current ( $I_{ZT}$  or  $I_{ZK}$ ) is superimposed to  $I_{ZT}$  or  $I_{ZK}$

<b>ORDERING INFORMATION</b>		
<b>ORDERING CODE</b> (Note)	<b>PACKAGE</b>	<b>PACKING</b>
BZT55Cxxx L0	Quadro Mini-MELF	10K / 13" Reel
BZT55Cxxx L0G	Quadro Mini-MELF	10K / 13" Reel
BZT55Cxxx L1	Quadro Mini-MELF	2.5K / 7" Reel
BZT55Cxxx L1G	Quadro Mini-MELF	2.5K / 7" Reel

**Note:**

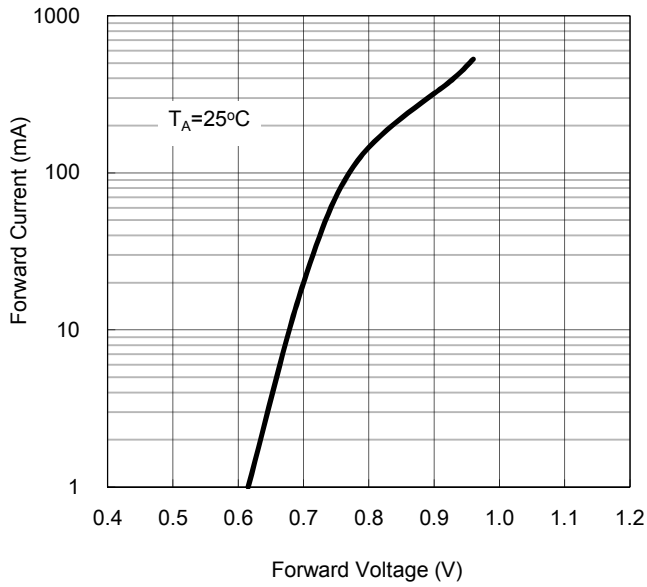
"xxx" defines voltage from 2.4V (BZT55C2V4) to 75V (BZT55C75)

"G" means green compound (halogen free)

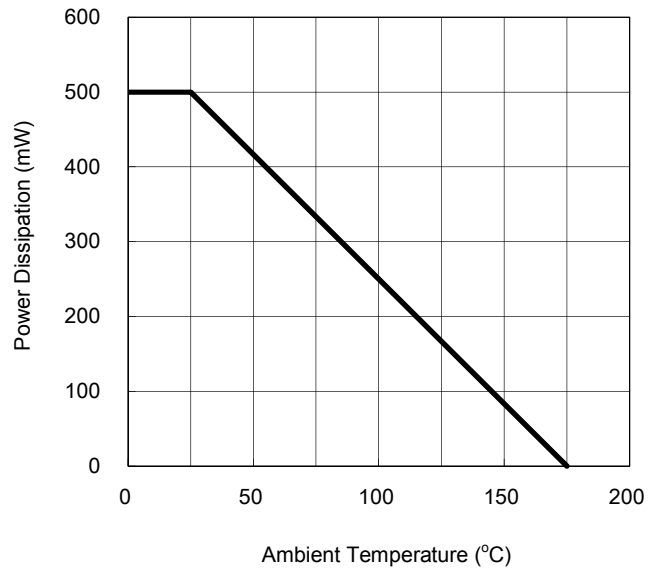
**CHARACTERISTICS CURVES**

( $T_A = 25^\circ\text{C}$  unless otherwise noted)

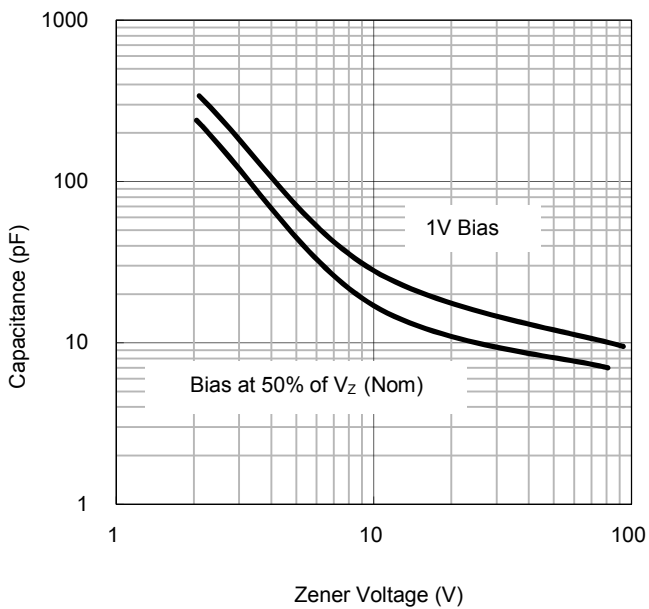
**Fig. 1 Typical Forward Characteristics**



**Fig. 2 Admissible Power Dissipation Curve**

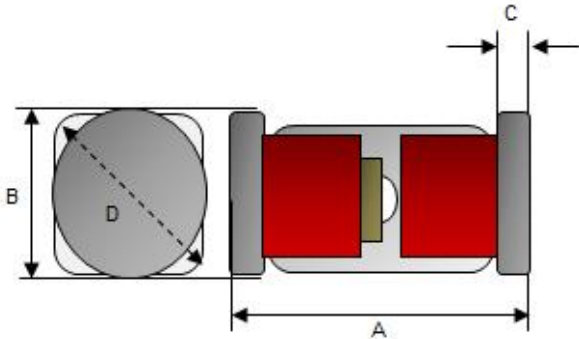


**Fig. 3 Typical Capacitance**



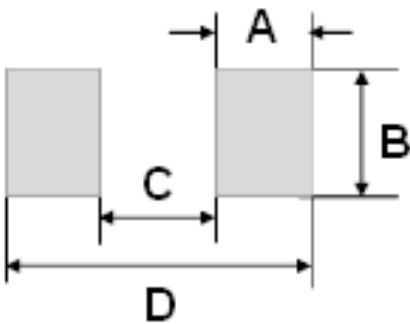
**PACKAGE OUTLINE DIMENSION**

**Quadro Mini-MELF**



DIM.	Unit (mm)		Unit (inch)	
	Min	Max	Min	Max
A	3.30	3.70	0.130	0.146
B	1.40	1.60	0.055	0.063
C	0.20	0.45	0.008	0.018
D	1.8 TYP.		0.071 TYP.	

**SUGGEST PAD LAYOUT**



DIM.	Unit (mm)	Unit (inch)
	Typ.	Typ.
A	1.25	0.049
B	2.00	0.079
C	2.50	0.098
D	5.00	0.197

## Notice

Specifications of the products displayed herein are subject to change without notice. TSC or anyone on its behalf, assumes no responsibility or liability for any errors or inaccuracies.

Information contained herein is intended to provide a product description only. No license, express or implied, to any intellectual property rights is granted by this document. Except as provided in TSC's terms and conditions of sale for such products, TSC assumes no liability whatsoever, and disclaims any express or implied warranty, relating to sale and/or use of TSC products including liability or warranties relating to fitness for a particular purpose, merchantability, or infringement of any patent, copyright, or other intellectual property right.

The products shown herein are not designed for use in medical, life-saving, or life-sustaining applications. Customers using or selling these products for use in such applications do so at their own risk and agree to fully indemnify TSC for any damages resulting from such improper use or sale.