

Small Signal Product

## Hermetically Sealed Glass Zener Voltage Regulators

### FEATURES

- Zener voltage range 2.4 to 56 volts
- Ideal for automated placement
- Hermetically sealed glass
- Compression bonded construction
- All external surfaces are corrosion resistant and leads are readily solderable
- RoHS compliant
- Matte Tin (Sn) lead finish
- Blue color band indicates negative polarity


**MINI MELF**


MAXIMUM RATINGS AND ELECTRICAL CHARACTERISTICS (T <sub>A</sub> =25°C unless otherwise noted)			
PARAMETER	SYMBOL	VALUE	UNIT
Power Dissipation	P <sub>D</sub>	500	mW
Forward Voltage	V <sub>F</sub>	1.1	V
Storage Temperature Range	T <sub>J</sub> , T <sub>STG</sub>	- 65 to +200	°C

**Small Signal Product**

 ELECTRICAL CHARACTERISTICS (  $T_A = 25^\circ\text{C}$  unless otherwise noted )

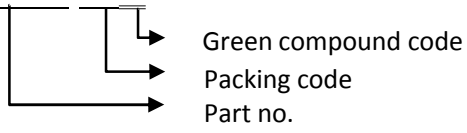
Device	V <sub>Z</sub> @ I <sub>ZT</sub> (Volts) Nom	I <sub>ZT</sub> (mA)	Z <sub>ZT</sub> @ I <sub>ZT</sub> ( $\Omega$ ) Max.	Z <sub>ZK</sub> @ I <sub>ZK</sub> =0.25mA ( $\Omega$ ) Max.	I <sub>R</sub> @ V <sub>R</sub> ( $\mu\text{A}$ ) Max.	V <sub>R</sub> (Volts)
LLZ5221B	2.4	20	30	1200	100	1.0
LLZ5222B	2.5	20	30	1250	100	1.0
LLZ5223B	2.7	20	30	1300	75	1.0
LLZ5224B	2.8	20	30	1400	75	1.0
LLZ5225B	3.0	20	30	1600	50	1.0
LLZ5226B	3.3	20	28	1600	25	1.0
LLZ5227B	3.6	20	24	1700	15	1.0
LLZ5228B	3.9	20	23	1900	10	1.0
LLZ5229B	4.3	20	22	2000	5.0	1.0
LLZ5230B	4.7	20	19	1900	5.0	2.0
LLZ5231B	5.1	20	17	1600	5.0	2.0
LLZ5232B	5.6	20	11	1600	5.0	3.0
LLZ5233B	6.0	20	7	16900	5.0	3.5
LLZ5234B	6.2	20	7	1000	5.0	4.0
LLZ5235B	6.8	20	5	750	3.0	5.0
LLZ5236B	7.5	20	6	500	3.0	6.0
LLZ5237B	8.2	20	8	500	3.0	6.5
LLZ5238B	8.7	20	8	600	3.0	6.5
LLZ5239B	9.1	20	10	600	2.0	7.0
LLZ5240B	10	20	17	600	1.0	8.0
LLZ5241B	11	20	22	600	0.5	8.4
LLZ5242B	12	20	30	600	0.1	9.1
LLZ5243B	13	9.5	13	600	0.1	9.9
LLZ5244B	14	9.0	15	600	0.1	10
LLZ5245B	15	8.5	16	600	0.1	11
LLZ5246B	16	7.8	17	600	0.1	12
LLZ5247B	16	7.4	19	600	0.1	13
LLZ5248B	18	7.0	21	600	0.1	14
LLZ5249B	19	6.6	23	600	0.1	14
LLZ5250B	20	6.2	25	600	0.1	15
LLZ5251B	22	5.6	29	600	0.1	17
LLZ5252B	24	5.2	33	600	0.1	18
LLZ5253B	25	5.0	35	600	0.1	19
LLZ5254B	27	5.0	41	600	0.1	21
LLZ5255B	28	4.5	44	600	0.1	21
LLZ5256B	30	4.2	49	600	0.1	23
LLZ5257B	33	3.8	58	700	0.1	25
LLZ5258B	36	3.4	70	700	0.1	27
LLZ5259B	39	3.2	80	800	0.1	30
LLZ5260B	43	3.0	93	900	0.1	33
LLZ5261B	47	2.7	105	1000	0.1	36
LLZ5262B	51	2.5	125	1100	0.1	39
LLZ5263B	56	2.2	150	1300	0.1	43

- Notes :
1. The type numbers listed have zener voltage as shown and have a standard tolerance on the nominal zener voltage of  $\pm 5\%$  in Blue marking, suffix A= $\pm 10\%$  in Orange marking and D= $\pm 1\%$  in Yellow marking.
  2. For detailed information on price, availability and deliver of nominal zener voltages between the voltages shown and tighter voltage tolerances, contact your nearest Taiwan Semiconductor representative.
  3. The zener impedance is derived from the 60-cycle ac voltage, which results when an ac current having an RMS value equal to 10% of the dc zener current (I<sub>ZT</sub> or I<sub>ZK</sub>) is superimposed to I<sub>ZT</sub> or I<sub>ZK</sub>.

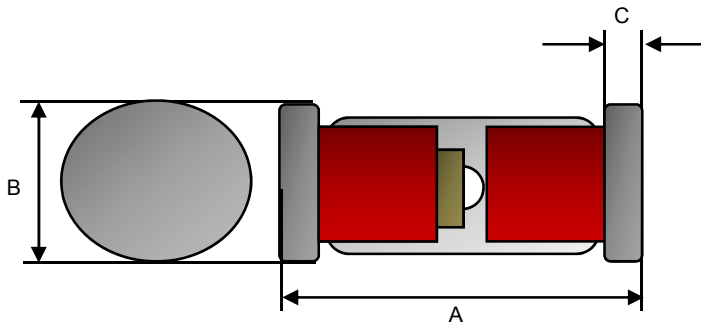
Small Signal Product

ORDER INFORMATION (EXAMPLE)

LLZ5221B LOG

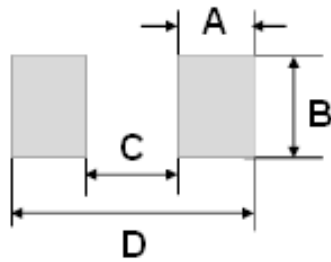


PACKAGE OUTLINE DIMENSION



DIM.	Unit (mm)		Unit (inch)	
	Min	Max	Min	Max
A	3.30	3.70	0.130	0.146
B	1.40	1.60	0.055	0.063
C	0.20	0.50	0.008	0.020

SUGGEST PAD LAYOUT



DIM.	Unit (mm)	Unit (inch)
	Typ.	Typ.
A	1.25	0.049
B	2.00	0.079
C	2.50	0.098
D	5.00	0.197

Small Signal Product

### Notice

Specifications of the products displayed herein are subject to change without notice. TSC or anyone on its behalf, assumes no responsibility or liability for any errors or inaccuracies.

Information contained herein is intended to provide a product description only. No license, express or implied, to any intellectual property rights is granted by this document. Except as provided in TSC's terms and conditions of sale for such products, TSC assumes no liability whatsoever, and disclaims any express or implied warranty, relating to sale and/or use of TSC products including liability or warranties relating to fitness for a particular purpose, merchantability, or infringement of any patent, copyright, or other intellectual property right.

The products shown herein are not designed for use in medical, life-saving, or life-sustaining applications. Customers using or selling these products for use in such applications do so at their own risk and agree to fully indemnify TSC for any damages resulting from such improper use or sale.